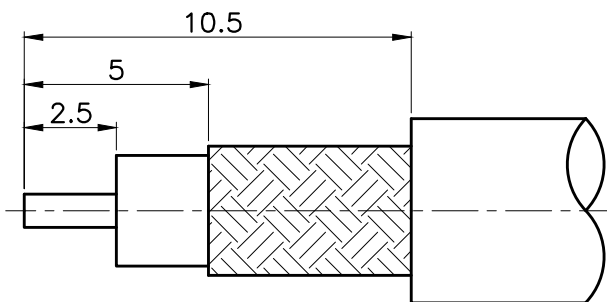
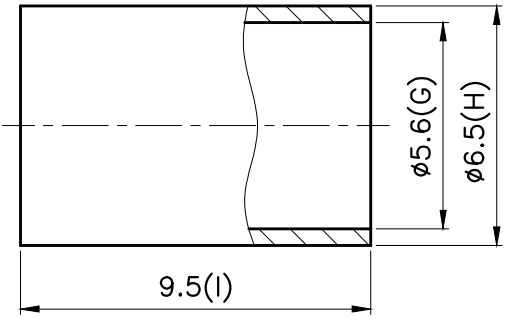
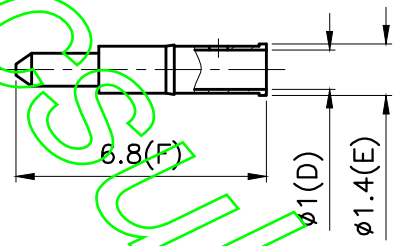
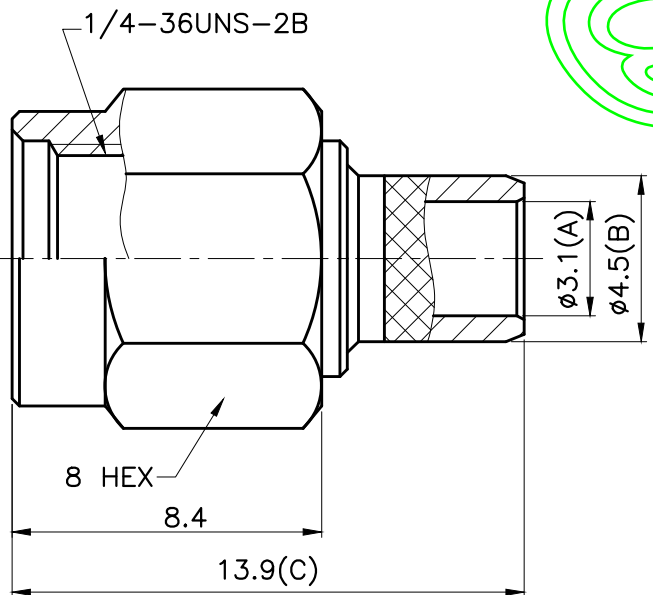


REVISIONS	
ISS	DESCRIPTION \ DATE

RoHS COMPLIANT



RECOMMENDED
CABLE STRIPPING DIM'S



1. CRIMPED FERRULE
HEX CRIMP SIZE .213"
2. CONTACT PIN TO SOLDER

CONNECTORS CABLES



SPECIALISTS LTD.

TITLE: SMA MALE CRIMP
(FOR RG58/U)

PART NO: SMAPCR58

DRAWING NO:

APRD:	UNLESS OTHERWISE SPECIFIED TOLERANCES 0.5-6 = ±0.2 >6-30 = ±0.4 >30-120 = ±0.6 >120-315 = ±1 >315-1000 = ±1.6 ANGLES = ±5°	FERRULE	BRASS	GOLD
CHKD:		CONTACT PIN	BRASS	GOLD
DR:		BODY	BRASS	GOLD
		INSULATOR	TEFLON	WHITE
DATE: 04/30/09"	UNIT: mm	RING	STAINLESS	NONE
SHEET: .	SCALE: 5/1	GASKET	S.L.RUBBER	RED
		SHELL	BRASS	GOLD
		NO. DESCRIPTION	MATERIAL	FINISH